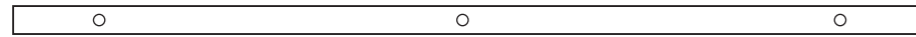
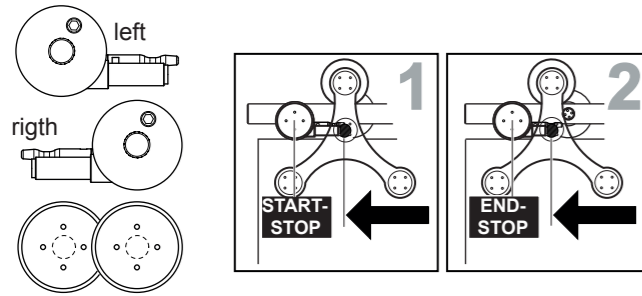


1 Set sliding door fittings Tritec

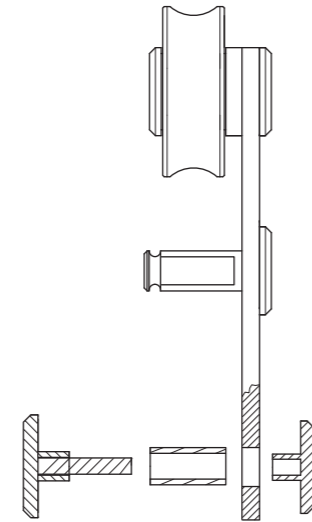
2 Guide rail



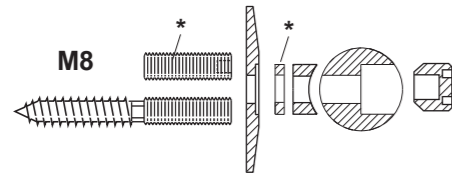
3 Door stoppers Soft-Tec



4 Trolley complete

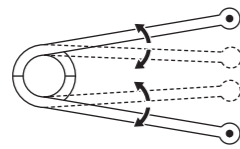


5 Wall fixtures
(without screws and dowels, at construction site)

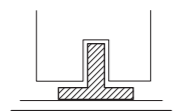


* not included in scope of delivey

6 Special tool



7 Bottom guide
(without screws and dowels, at construction site)



Attention



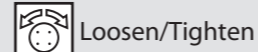
Screw on



Screw on



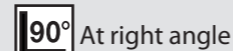
Screw on



Loosen/Tighten



Install



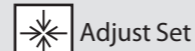
At right angle



Drill



Dowels



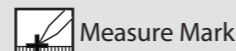
Adjust Set



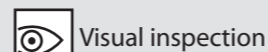
Level



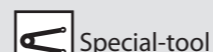
Perpendicular



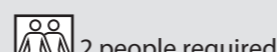
Measure Mark



Visual inspection



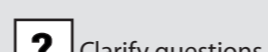
Special-tool



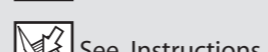
2 people required



Measure



Clarify questions



See Instructions



Secure

! Comply with all general safety regulations when installing the sliding door fittings!

Installation to be completed by qualified licensed contractor.

Be sure to tighten all screw connections one week after starting to use the sliding door fittings!

Never use scouring agents to clean the sliding door fittings; rather use commercially available stainless-steel cleaners!

Set Tritec	Set / Each					
1 Art.-No.	2	3	4	5	6	7
110.00137	1	2	2	3	1	1
110.00138	1	2	2	4	1	1
110.00139	1	2	2	4	1	1
110.00140	1	2	2	4	1	1

ABP beyerle

ABP-Beyerle GmbH

Im Schollengarten 24 b, D - 76646 Bruchsal (Germany)

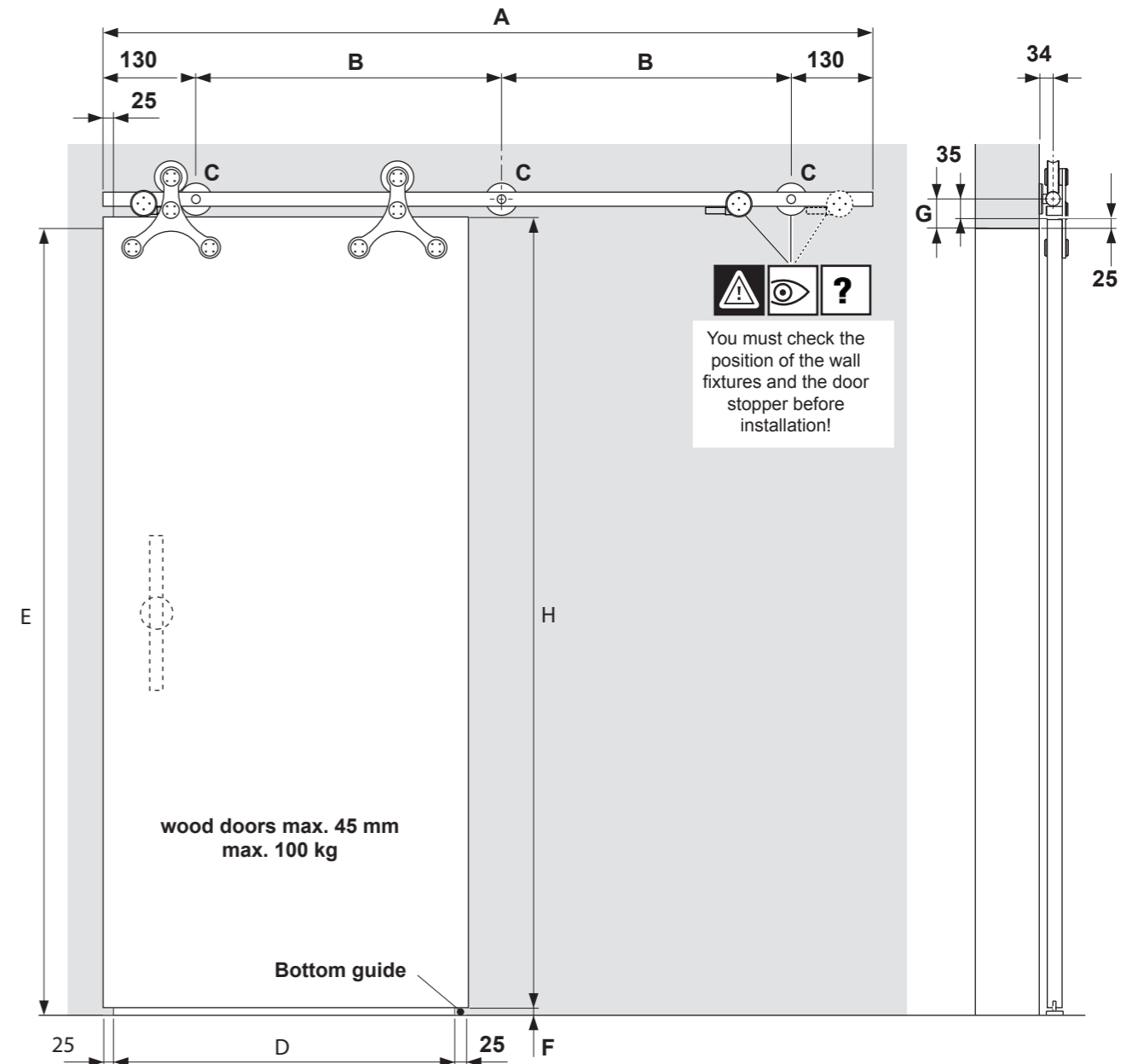
Tel. + 49 - (0) 7257 / 9127 - 0, Fax + 49 - (0) 7257 / 9127 - 29, Email info@abp-beyerle.de, www.abp-beyerle.de

65 30 00.0145_Tritec_wood_DS-092015jb

Installation instructions

Sliding door fittings Tritec

for wood doors (max. 45 mm) with Soft-Tec Stopper



Complete-Set's

Set Artikel-No.	A mm	B mm	C each	D mm	E max. mm	F mm	G mm	H max. mm (H = E - F + 25)
110.00137	1800	770	3	750 - 900	2500	7 - 10	60	2518
110.00138	2100	613,3	4	910 - 1000	2500	7 - 10	60	2518
110.00139	2300	680	4	1010 - 1120	2500	7 - 10	60	2518
110.00140	2540	760	4	1130 - 1250	2500	7 - 10	60	2518

Right to make technical changes reserved - Dimensions in mm - Version 10.2015

© by ABP-Beyerle GmbH

ABP beyerle

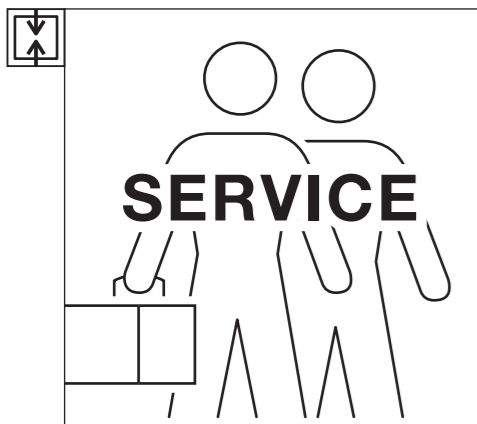


Abb. 1

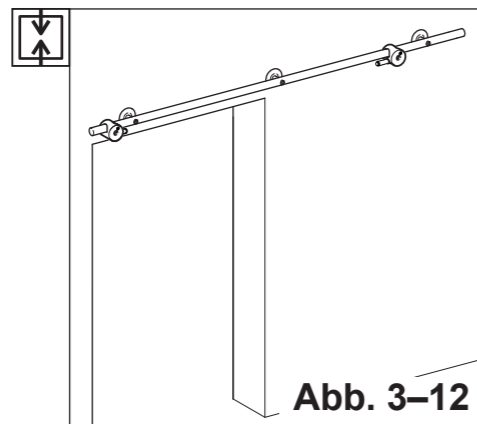


Abb. 3-12

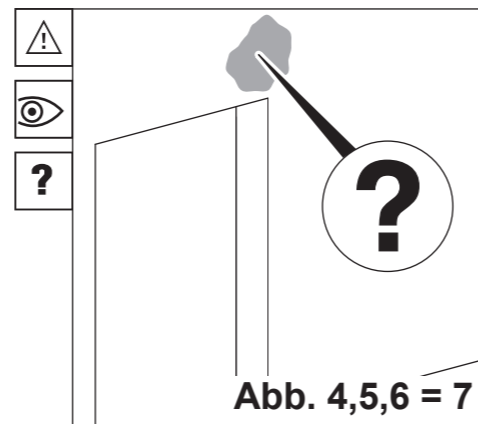


Abb. 4,5,6 = 7

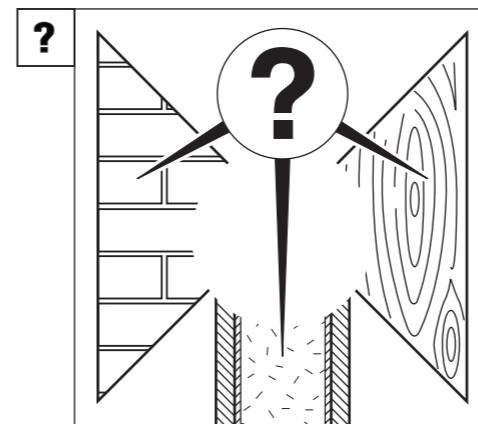


Abb. 4

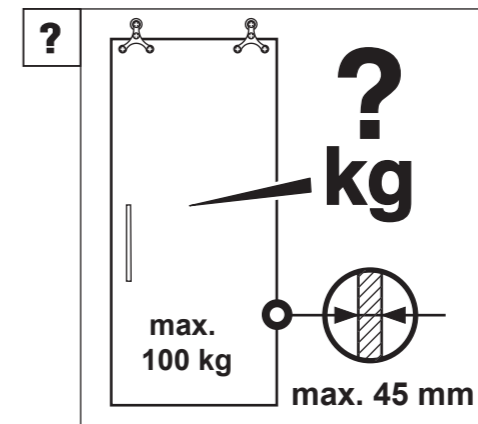


Abb. 5

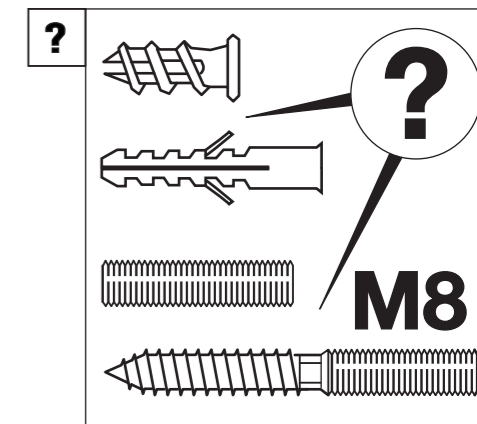


Abb. 6

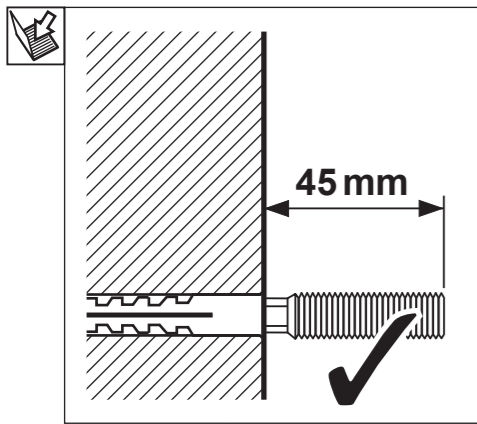


Abb. 7

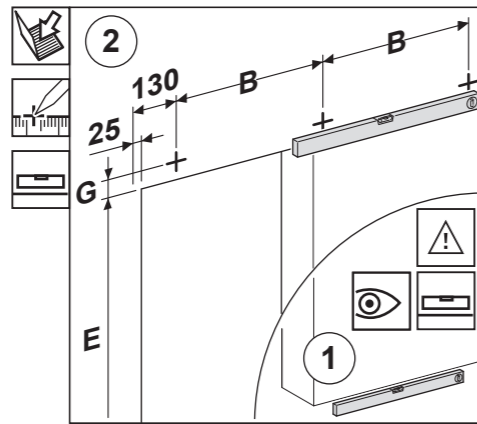


Abb. 8

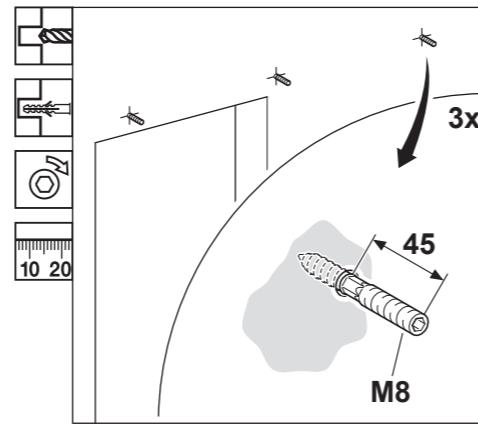


Abb. 9

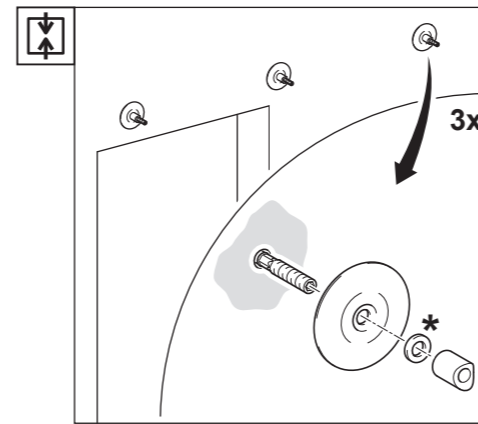


Abb. 10

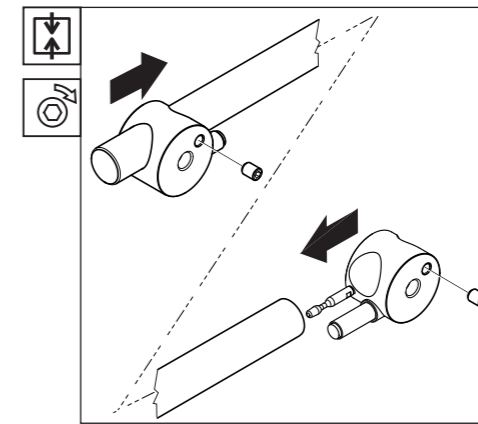


Abb. 11

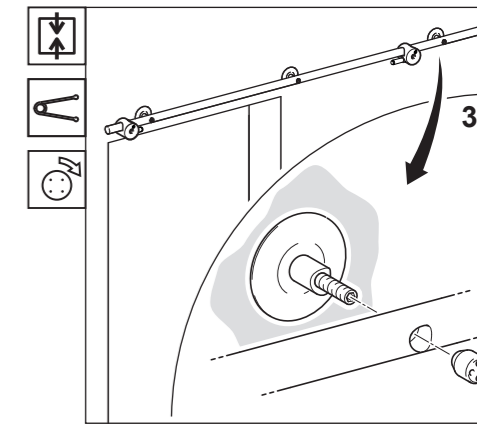


Abb. 12

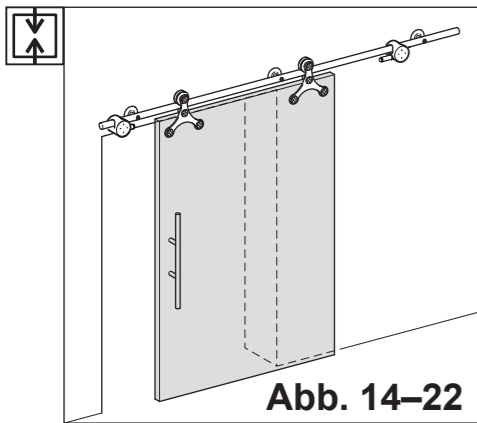


Abb. 14-22

Abb. 13

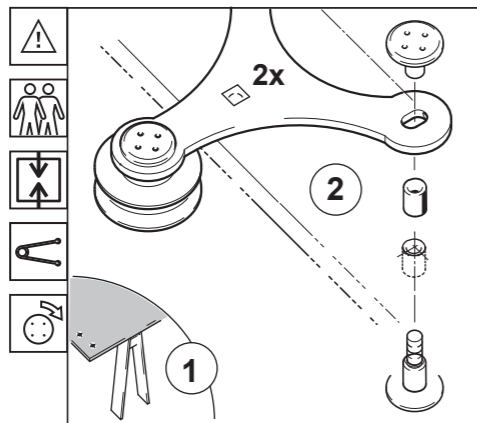


Abb. 14

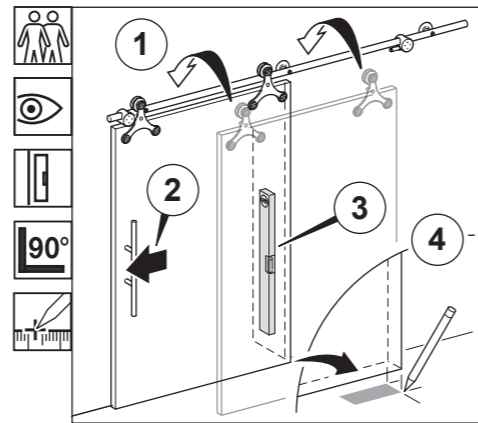


Abb. 15

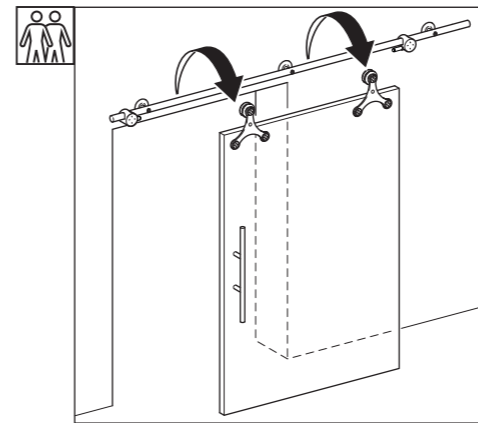


Abb. 16

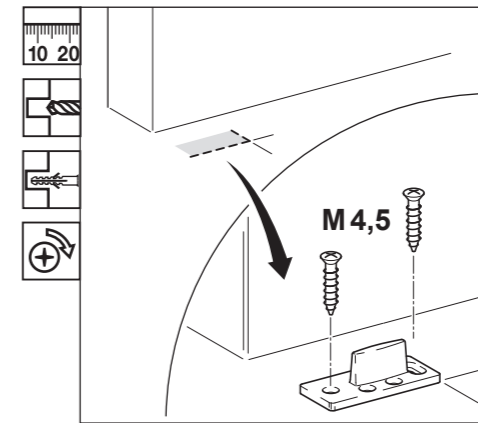


Abb. 17

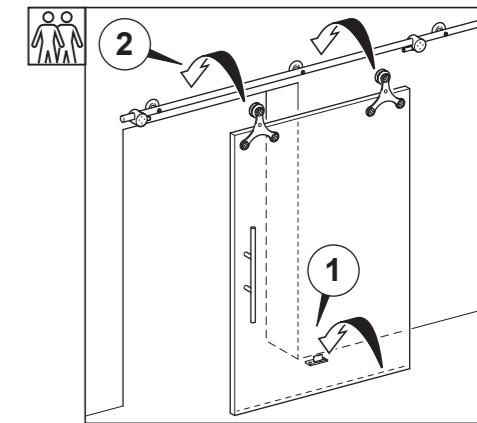


Abb. 18

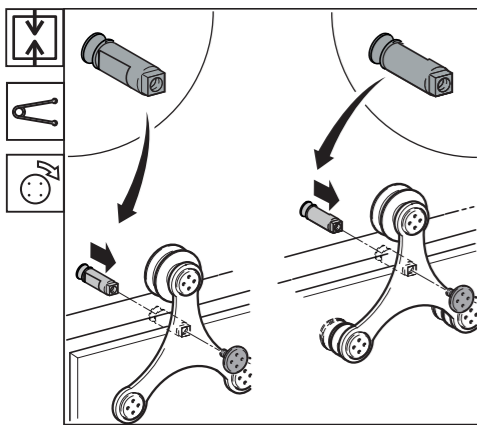


Abb. 19

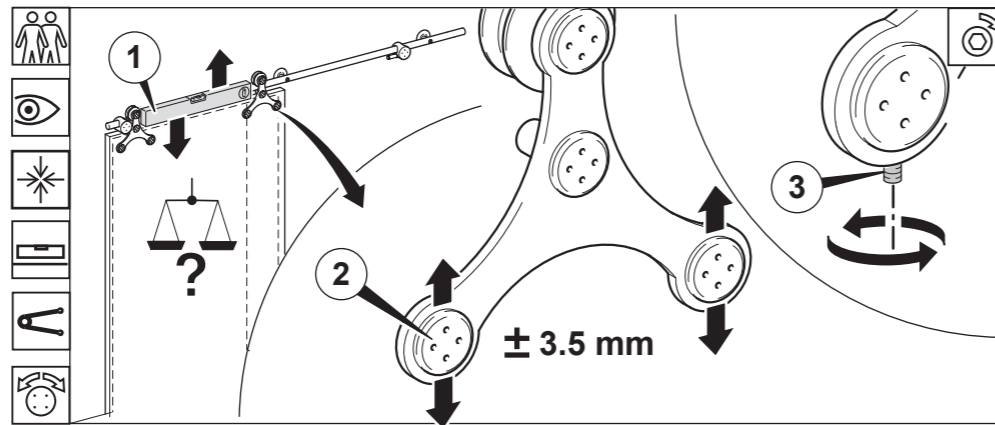


Abb. 20

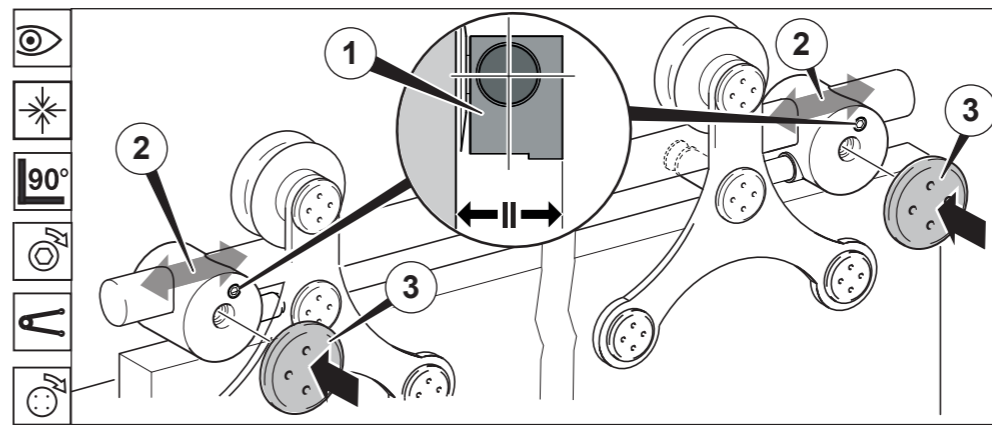


Abb. 21

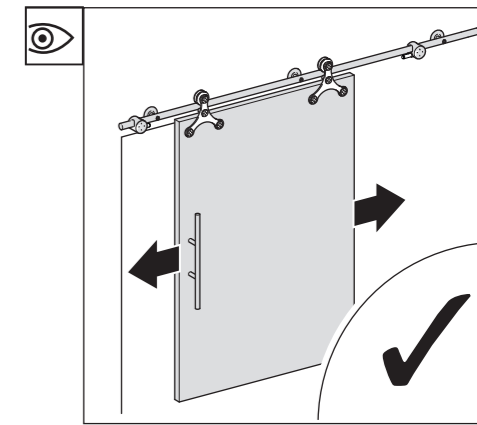


Abb. 22